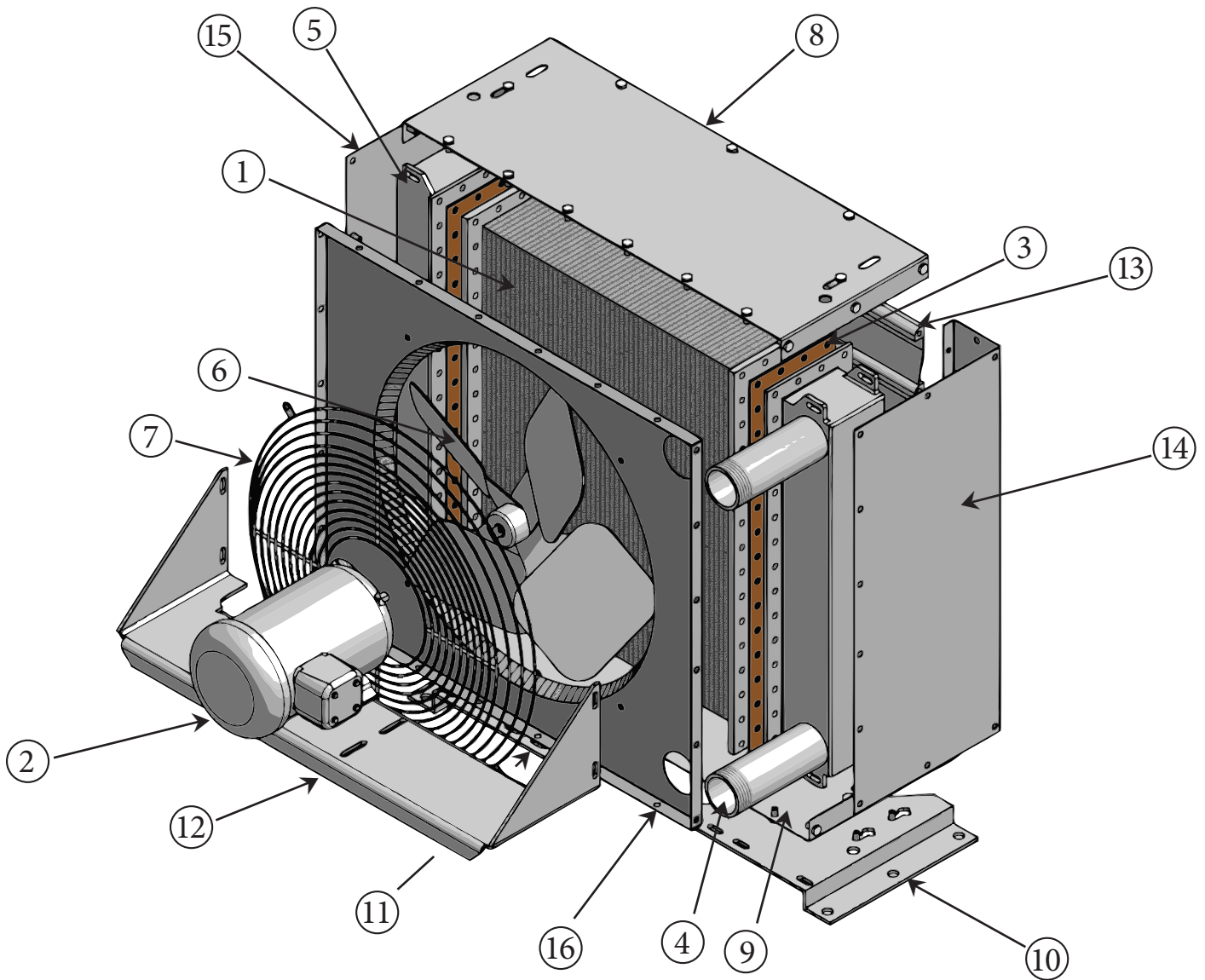


AOCH-15 Parts List



Description	Part#	Price	Stock	Description	Part#	Price Each	Stock
1. Core.....	103-2001		Stock:	3. Gasket Kit(EACH)			
2. Motor	306-1052		Stock:	4. Right Tank.....			
.5HP, Three Phase, (60/50) HZ, (230/460-190/380) Volt, 1725 RPM, 56 Frame, TEFC				5. Left Tank			
2. Motor	306-1051		Stock:	6. Fan	307-0061.....		Stock:
.5HP, Single Phase, 60 HZ, (115/208-230) Volt, 1725 RPM, 56 Frame, TEFC				7. Fan Guard	308-0028.....		Stock:
2. Motor	306-1024		Stock:	8. Top Panel.....	103-0006.....		Stock:
.5HP, Three Phase, 60 HZ, 575 Volt, 1725 RPM, 56 Frame, TEFC				9. Bottom Panel.....	103-0006.....		Stock:
2. Motor	306-2025		Stock:	10. Foot Mtg(LEFT)	108-0043.....		Stock:
.5HP, Three Phase, 60 HZ, 230/460 Volt, 1725 RPM, 56 Frame, Explosion Proof Motor				11. Foot Mtg(RIGHT)...	108-0044.....		Stock:
2. Motor	306-2024		Stock:	12. Motor Bracket	103-0005.....		Stock:
.5HP, Single Phase, 60 HZ, 115/230 Volt, 1725 RPM, 56 Frame, Explosion Proof Motor				13. Louver(EACH).....	103-0004.....		Stock:
				14. Side Panel	103-0002.....		Stock:
				15. Side Panel	103-0002.....		Stock:
				16. Back Panel	103-0008.....		Stock: