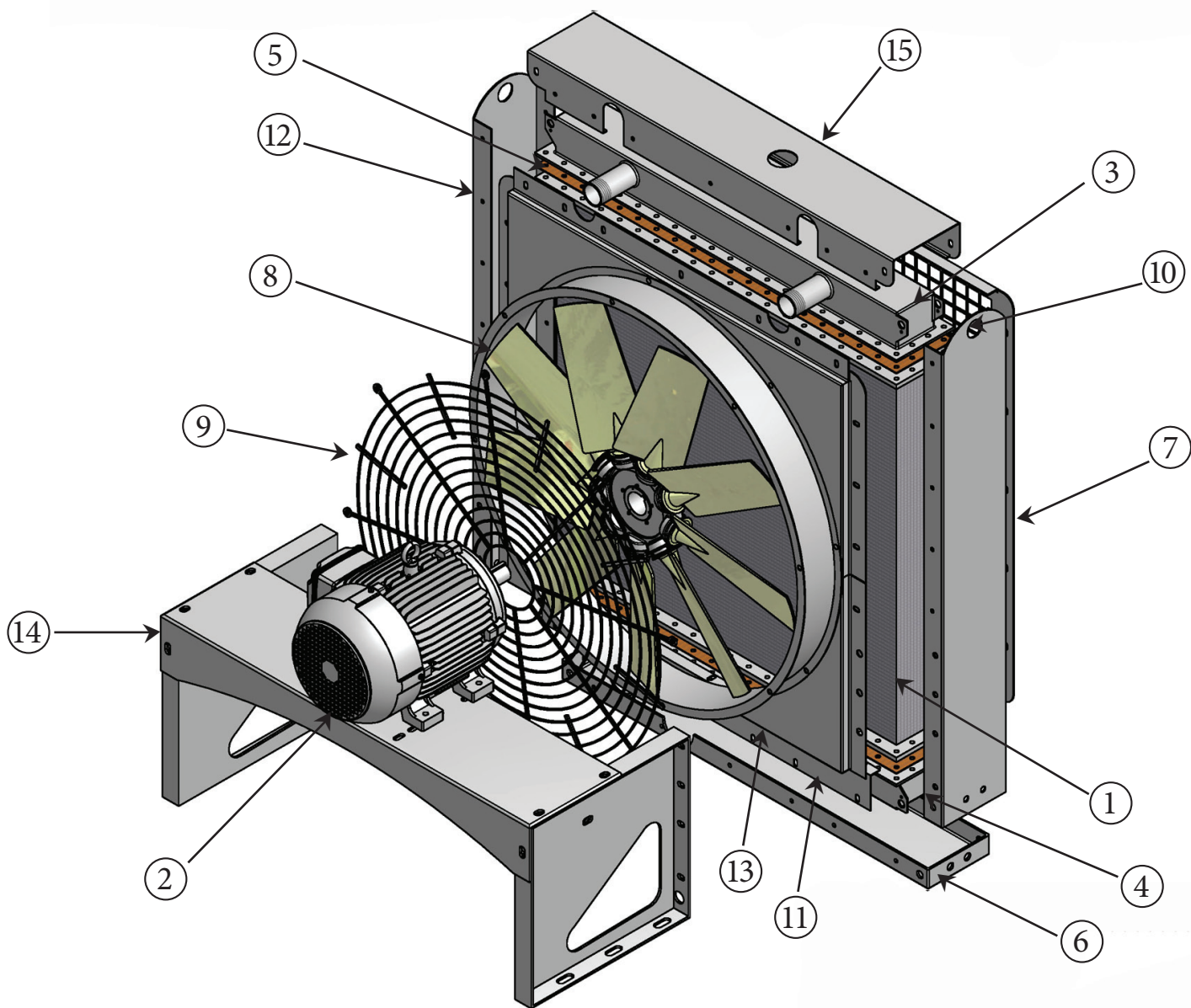


AOCS-303-3 Parts List



Description	Part#	Price	Stock	Description	Part#	Price	Stock
1. Core.....	110-2001.....	 Stock:	3. Top Tank(2 PIPE).....	110-2020.....	 Stock:
2. Motor	306-1016 Stock:	4. Bottom Tank(1 PIPE).....	110-2021.....	 Stock:
	3 HP, Three Phase, (60/50) HZ, (230/460-190/380)			5. Gasket Kit(EACH)	199-0002 Stock:
	Volt,1745/1450 RPM, 182T Frame, TEFC			6. Bottom Panel.....	110-2004.....	 Stock:
2. Motor	306-1017 Stock:	7. Screen	110-2005.....	 Stock:
	3 HP, Three Phase, 60 HZ, 575 Volt,1725 RPM,			8. Fan	307-0063 Stock:
	182T Frame, TEFC			9. Fan Guard	308-0016 Stock:
2. Motor	306-2011.....	 Stock:	10. Side Panel(RIGHT)..	110-2018.....	 Stock:
	3 HP, 60 HZ, 230/460 Volt,1725 RPM,			11. Comp Panel	110-2019.....	 Stock:
	182T Frame, Explosion Proof Motor			12. Side Panel(LEFT) ...	110-2002.....	 Stock:
				13. Back Panel	110-2007.....	 Stock:
				14. Motor Bracket	110-2012.....	 Stock:
				15. Top Cover	110-2003.....	 Stock: