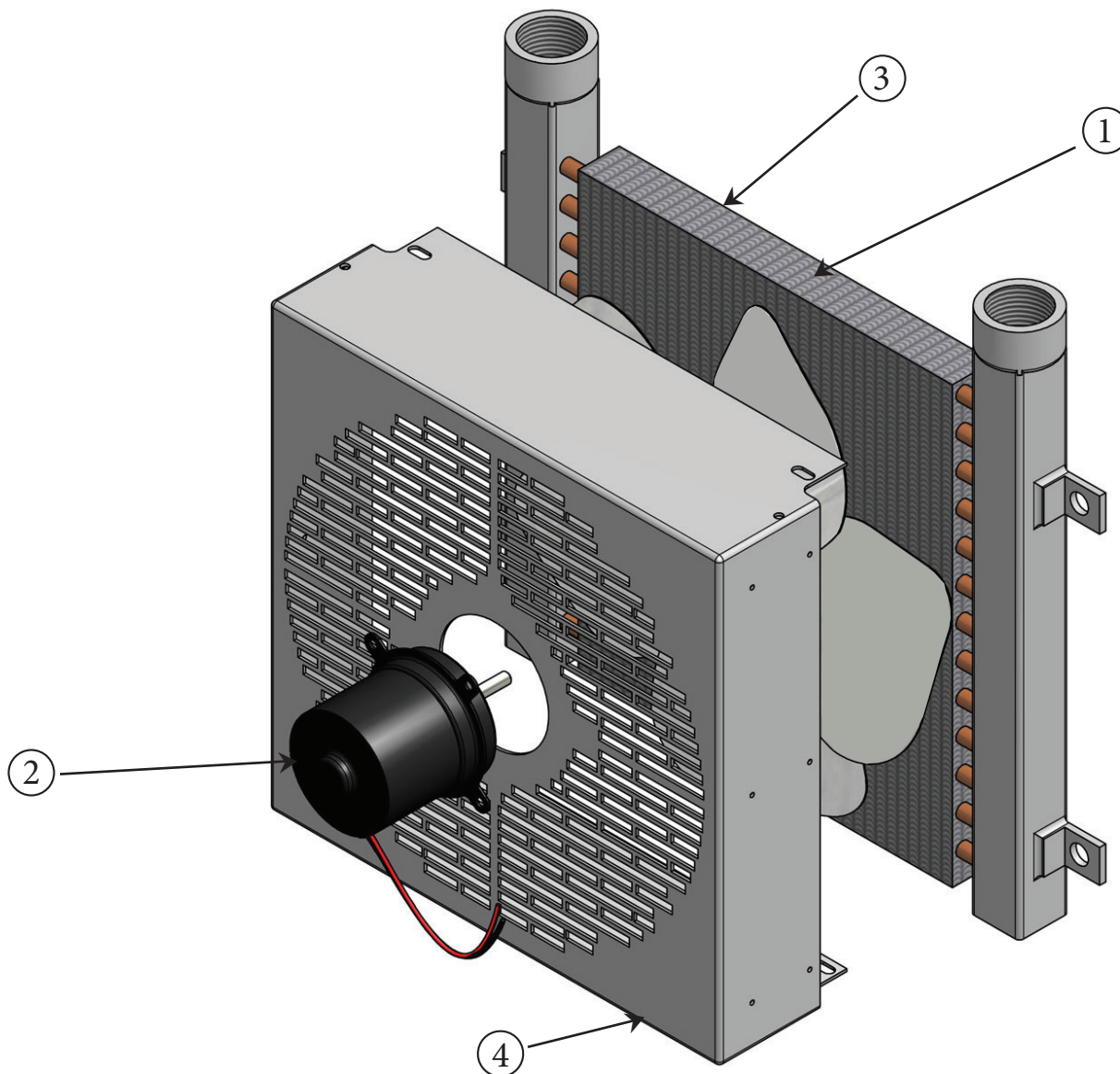


LP150 Parts List



Description	Part#	Price	Stock	Description	Part#	Price	Stock
1. Core.....	116-1001.....	 Stock:	3. Front Screen.....	116-1008.....	 Stock
2. Motor	306-1153.....	 Stock:	4. Back Panel	116-1009.....	 Stock:
	12 Volt, 2000 RPM			5. Fan	307-0060.....	 Stock:
2. Motor	306-1154.....	 Stock:				
	24 Volt, 2000 RPM						