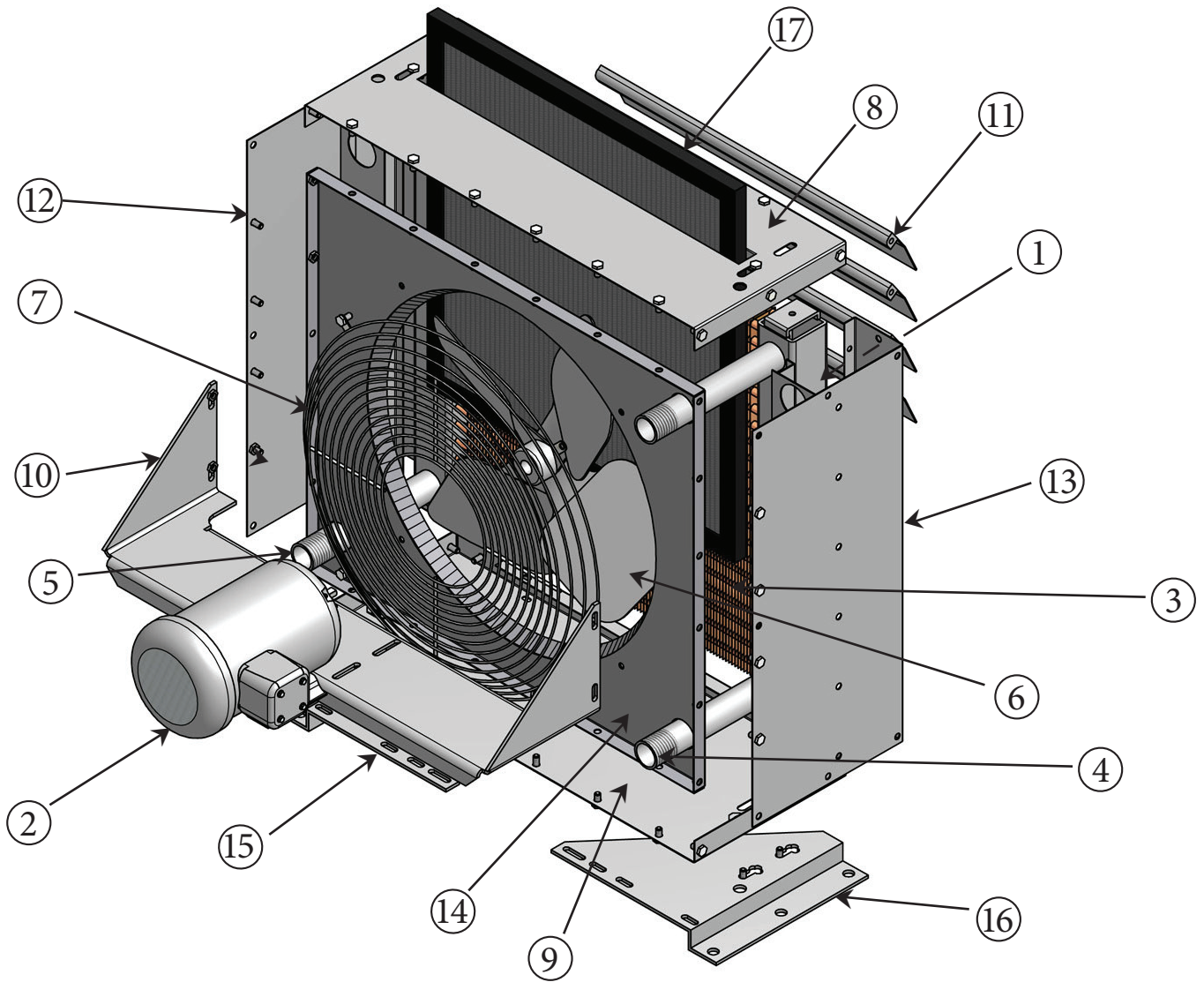


ACF-40 Parts List



Description	Part#	Stock	Description	Part#	Stock
1. Core.....	108-1001..... Stock:	3. Gasket Kit(EACH) Stock:
2. Motor	306-1022..... Stock:	4. Manifold(RIGHT) Stock:
1.0 HP, Three Phase, (60/50) HZ, (208-230/460-190/380) Volt,			5. Manifold(LEFT) Stock:
(1140-950) RPM, 56 Frame, TEFC			6. Fan	307-0013..... Stock:
2. Motor	CONSULT FACTORY Stock:	7. Fan Guard	308-0007..... Stock:
1.0 HP, Single Phase, 60 HZ, (115/208-230-110/220) Volt,			8. Top Panel.....	108-0040..... Stock:
(1140-950) RPM, 184 Frame, TEFC			9. Bottom Panel.....	108-0040..... Stock:
2. Motor	306-1015..... Stock:	10. Motor Bracket	108-0005..... Stock:
1.0 HP, Three Phase, 60 HZ, 575 Volt,			11. Louver(EACH)	108-0039..... Stock:
1140 RPM, 56 Frame, TEFC			12. Side Panel	108-0023..... Stock:
2. Motor	306-2016..... Stock:	13. Side Panel	108-0023..... Stock:
1.0 HP, Three Phase, 60 HZ, (208-230/460) Volt,			14. Back Panel	108-0003..... Stock:
1140 RPM, 56 Frame, Explosion Proof Motor			15. Foot Mtg(LEFT)	108-0043..... Stock:
			16. Foot Mtg(RIGHT).....	108-0044..... Stock:
			17. Filter.....	309-1008..... Stock:
			18. Filter Bracket Kit ..	108-0012..... Stock: