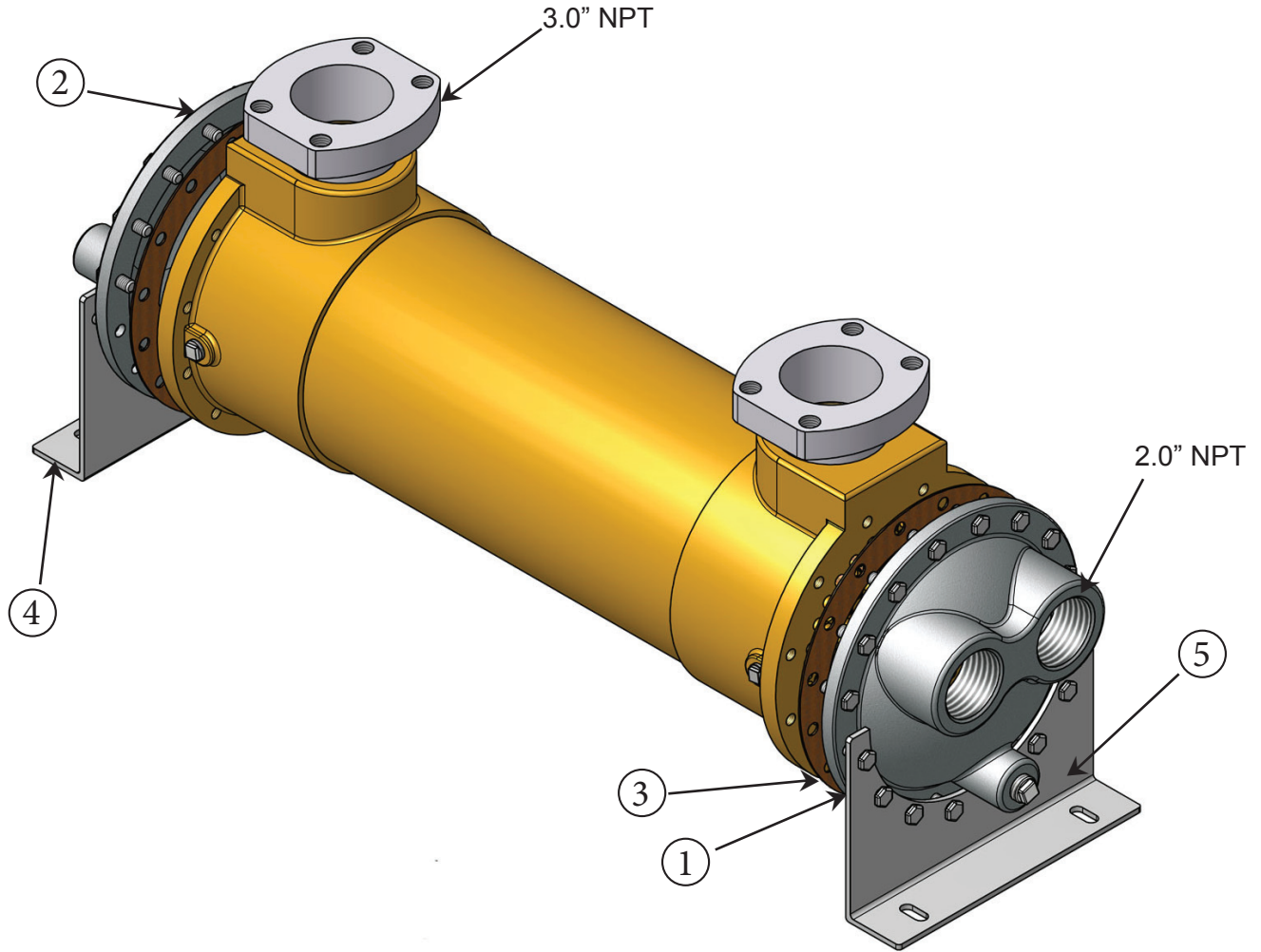


SAE-1600-FP Parts List



| <u>Item</u> | <u>Description</u> | <u>Material</u> | <u>Part Number</u> | <u>Stock</u> |
|-------------|---------------------|--------------------------|--------------------|--------------|
| 1. | End Bonnet / In-Out | Cast Iron | 205-0005 | Yes |
| 2. | End Bonnet / Return | Cast Iron | 205-0006 | Yes |
| 1. | End Bonnet / In-Out | Cast Bronze | 205-0031 | Yes |
| 2. | End Bonnet / Return | Cast Bronze | 205-0032 | Yes |
| 1. | End Bonnet / In-Out | Stainless Steel | 205-0056 | Yes |
| 2. | End Bonnet / Return | Stainless Steel | 205-0057 | Yes |
| 3. | Gasket / Front-Back | Hypalon (CORK COMPOSITE) | 302-1005 | Yes |
| 3. | Gasket / Front-Back | High Temp.(DURLON 8500) | 302-1015 | Yes |
| 4. | Foot Bracket | Steel | 205-0007 | Yes |
| 5. | Zinc Anode | Brass Fitting, Zinc Rod | 301-0003 | Yes |

