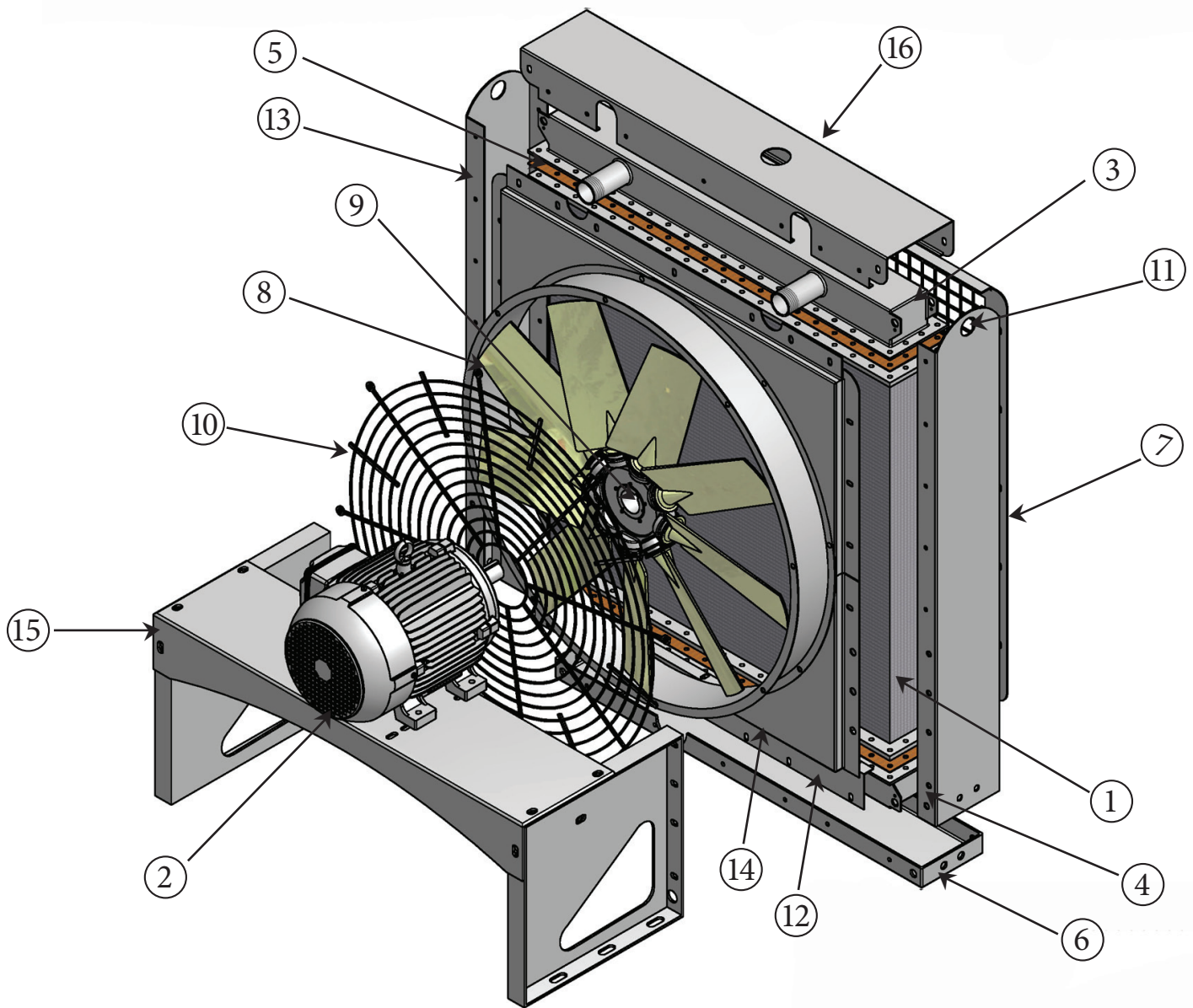


AOCS-603 Parts List



Description	Part#	Price	Stock	Description	Part#	Price	Stock
1. Core.....	110-4001.....	 Stock:	3. Top Tank(2 PIPE).....	110-7082.....	 Stock:
2. Motor	306-1036	\$825.00..... Stock:	4. Bottom Tank(1 PIPE) .	110-7081.....	 Stock:
				5. Gasket Kit.....	199-0004 Stock:
				6. Bottom Panel.....	110-4005.....	 Stock:
2. Motor	306-1060 Stock:	7. Front Screen.....	110-4006.....	 Stock:
				8. Fan	307-0065 Stock:
				9. Fan Bushing	312-1032 Stock:
2. Motor	306-2020 Stock:	10. Fan Guard	308-0014 Stock:
				11. Side Panel(RIGHT) ..	110-4012.....	 Stock:
				12. Comp Panel.....	110-4007.....	 Stock:
				13. Side Panel(LEFT) ...	110-4003.....	 Stock:
				14. Back Panel	110-4018.....	 Stock:
				15. Motor Bracket.....	110-4002.....	 Stock:
				16. Top Panel.....	110-4004.....	 Stock: