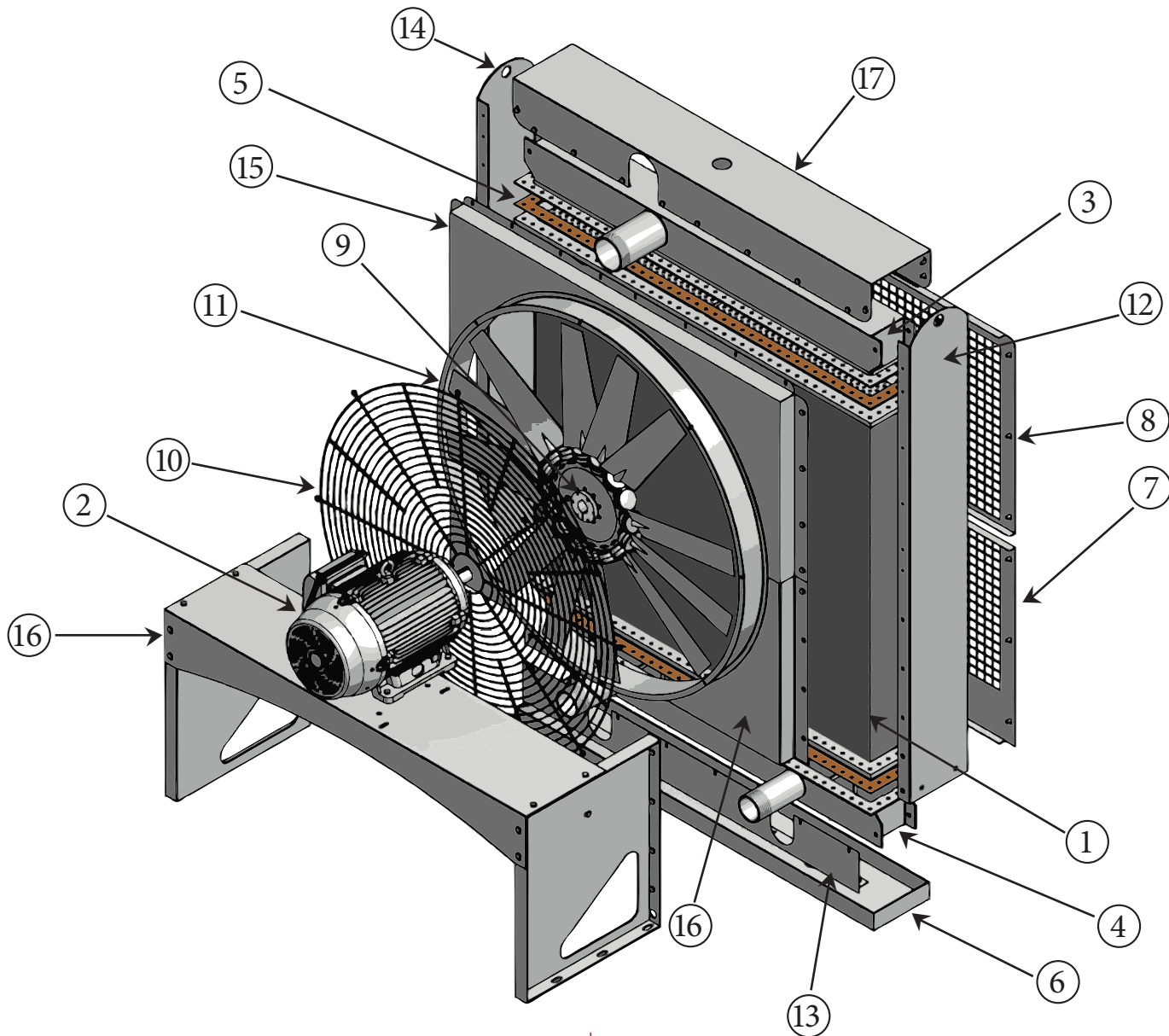


AOCS-1505 Parts List



Description	Part#	Price	Stock	Description	Part#	Price	Stock
1. Core.....	110-6001.....		Stock:	3. Top Tank	110-6087.....		Stock:
2. Motor	306-1028		Stock:	4. Bottom Tank.....	110-6090.....		Stock:
5 HP, Three Phase, (60/50) HZ, (230/460-190/380)				5. Gasket Kit.....	199-0050		Stock:
Volt,1160/980 RPM, 215T Frame, TEFC				6. Bottom Panel.....	110-6004.....		Stock:
2. Motor	306-2019		Stock:	7. Lower Screen	110-6117.....		Stock:
5 HP, Three Phase, 60 HZ, 575 Volt,1160 RPM,				8. Upper Screen	110-6005.....		Stock:
215T Frame, TEFC				9. Fan Bushing	312-1032		Stock:
2. Motor	306-2021		Stock:	10. Fan Guard	308-0010		Stock:
5 HP, 60 HZ, 230/460 Volt,1725 RPM,				11. Fan.....	307-0067		Stock:
143T Frame, Explosion Proof Motor				12. Side Panel(RIGHT)..	110-6018.....		Stock:
				13. Comp Panel.....	110-6038.....		Stock:
				14. Side Panel(LEFT) ...	110-6002.....		Stock:
				15. Back Panel	110-6007.....		Stock:
				16. Motor Bracket	110-6092.....		Stock:
				17. Top Cover	110-6003.....		Stock: