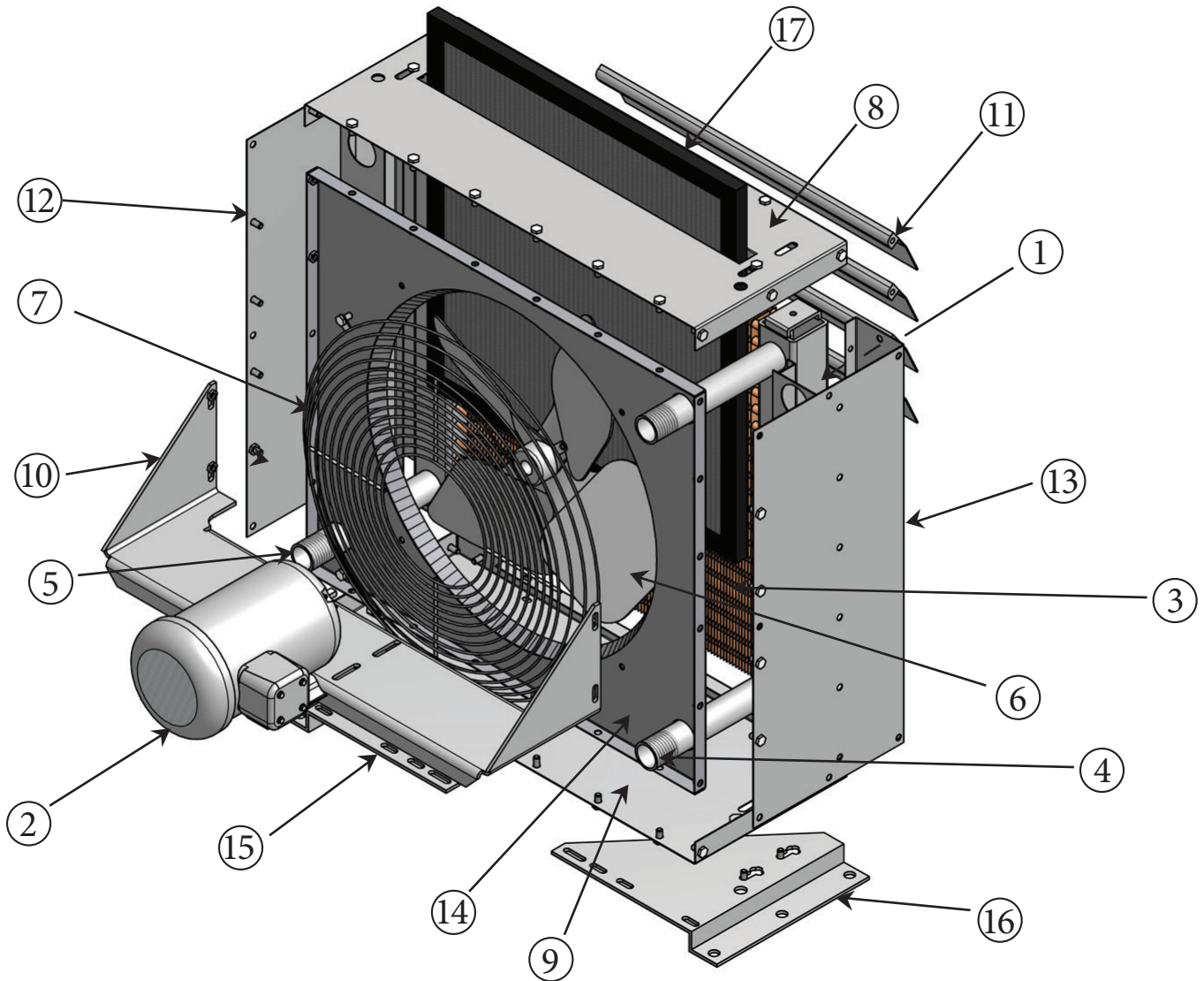


ACF-10 Parts List



Description	Part#	Price	Stock	Description	Part#	Price	Stock
1. Core.....	102-1001.....	 Stock:	3. Gasket Kit(EACH) Stock:
2. Motor	306-1002.....	 Stock:	4. Manifold(RIGHT) :
.25 HP, Three Phase, (60/50) HZ, (230/460-190/380) Volt, 1725-1425 RPM, 48 Frame, TEFC				5. Manifold(LEFT) :
2. Motor	306-1018.....	 Stock:	6. Fan	307-0001.....	 Stock:
.25 HP, Single Phase, (60/50) HZ, (115/230-90/190) Volt, 1725-1425 RPM, 48 Frame, TEFC				7. Fan Guard	308-0001.....	 Stock:
2. Motor	306-1072.....	 Stock:	8. Top Panel.....	102-0007.....	 Stock:
.25 HP, Three Phase, (60/50) HZ, 575 Volt, 1725 RPM, 48 Frame, TEFC				9. Bottom Panel	102-0006.....	 Stock:
2. Motor	306-2002.....	 Stock:	10. Motor Bracket	102-0005.....	 Stock:
.25 HP, Three Phase, 60 HZ, (208-230/460) Volt, 1725 RPM, 48 Frame, Explosion Proof Motor				11. Louver(EACH)	102-0004.....	 Stock:
2. Motor	306-2001.....	 Stock:	12. Side Panel	102-0023.....	 Stock:
.25 HP, Single Phase, 60 HZ, (115/230) Volt, 1725 RPM, 48 Frame, Explosion Proof Motor				13. Side Panel	102-0023.....	 Stock:
				14. Back Panel	102-0003.....	 Stock:
				15. Foot Mtg(LEFT)	102-0021.....	 Stock:
				16. Foot Mtg(RIGHT).....	102-0022.....	 Stock:
				17. Filter.....	309-1002.....	 Stock:
				18. Filter Bracket Kit ..	102-0013.....	 Stock: