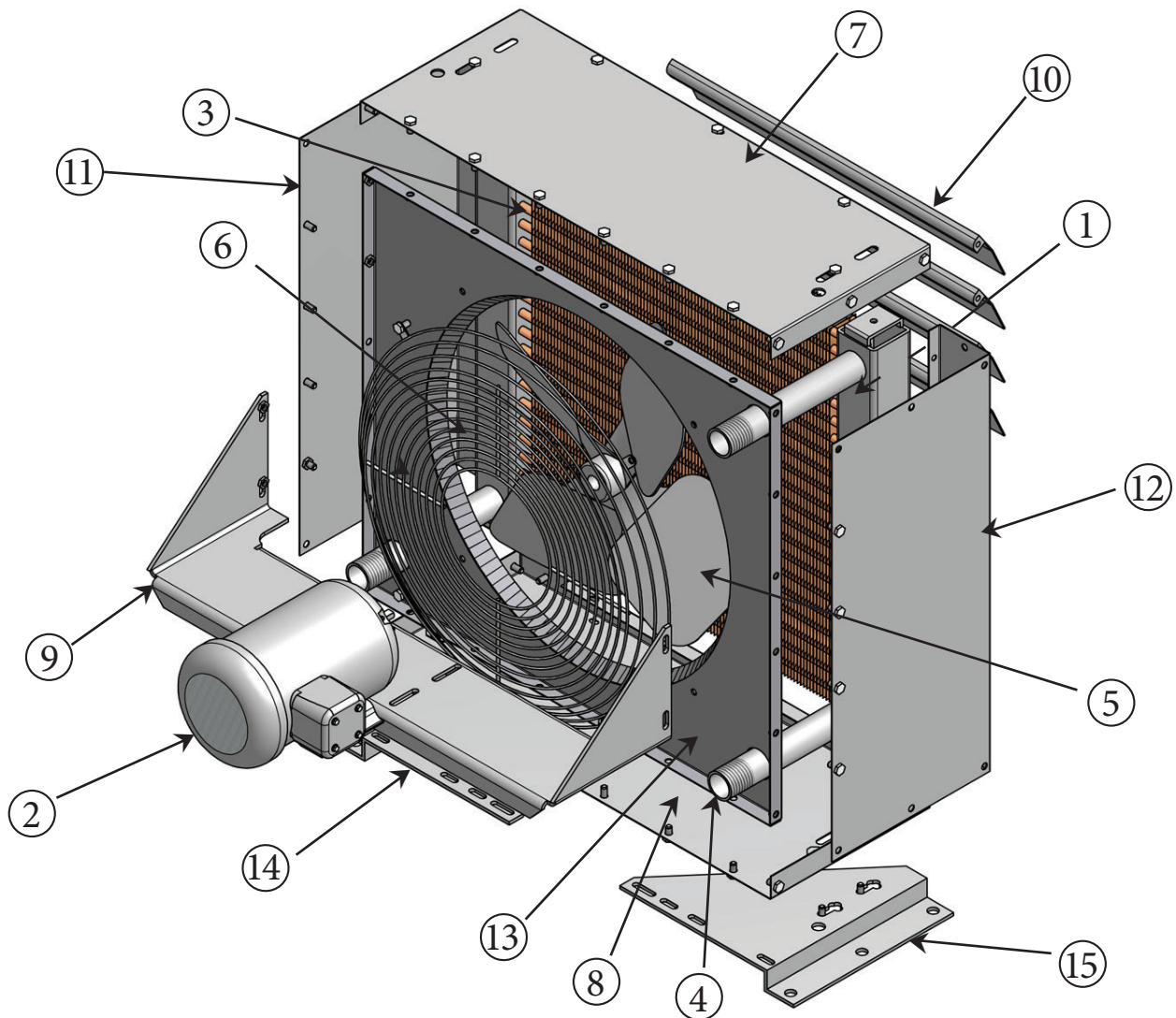


# AC-10 Parts List



Description	Part#	Stock	Description	Part#	Stock
1. Core.....	.....	..... Stock:	3. Gasket Kit(EACH) .....	.....	..... Stock:
2. Motor .....	.....	..... Stock:	4. Manifold(RIGHT) .....	.....	.....
.25 HP, Three Phase, (60/50) HZ, (230/460-190/380) Volt,			4. Manifold(LEFT) .....	.....	.....
1725-1425 RPM, 48 Frame, TEFC			5. Fan .....	307-0001 .....	..... Stock:
2. Motor .....	.....	..... Stock:	6. Fan Guard .....	308-0001 .....	..... Stock:
.25 HP, Single Phase, (60/50) HZ, (115/230-115/230) Volt,			7. Top Panel.....	102-0006 .....	..... Stock:
1625-1425 RPM, 48 Frame, TEFC			8. Bottom Panel .....	102-0006 .....	..... Stock:
2. Motor .....	.....	..... Stock:	9. Motor Bracket .....	102-0005 .....	..... Stock:
.25 HP, Three Phase, (60/50) HZ, 575 Volt,			10. Louver(EACH).....	102-0004 .....	..... Stock:
1725 RPM, 48 Frame, TEFC			11. Side Panel .....	102-0002 .....	..... Stock:
2. Motor .....	.....	..... Stock:	12. Side Panel .....	102-0002 .....	..... Stock:
.25 HP, Three Phase, 60 HZ, (208-230/460) Volt,			13. Back Panel .....	102-0003 .....	..... Stock:
1725 RPM, 48 Frame, Explosion Proof Motor			14. Foot Mtg(LEFT) .....	102-0021 .....	..... Stock:
2. Motor .....	.....	..... Stock:	15. Foot Mtg(RIGHT).....	102-0022 .....	..... Stock:
.25 HP, Single Phase, 60 HZ, (115/230) Volt,					
1725 RPM, 48 Frame, Explosion Proof Motor					