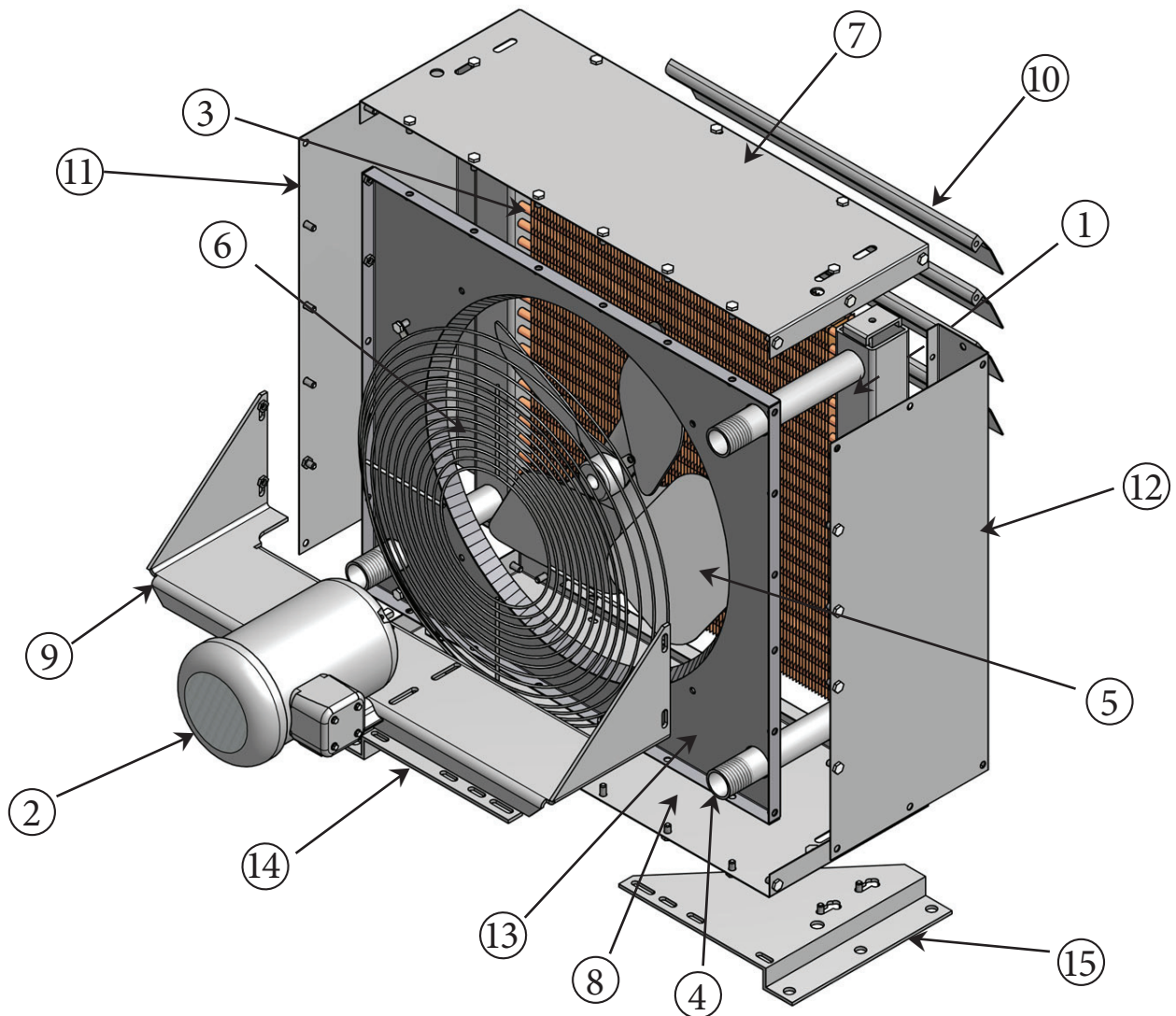


AC-35 Parts List



Description	Part#	Stock	Description	Part#	Stock
1. Core.....	107-1001 Stock:	3. Gasket Kit(EACH) Stock:
2. Motor	306-1009 Stock:	4. Manifold(RIGHT) Stock:
.5 HP, Three Phase, (60/50) HZ, (208-230/460-190/380) Volt, (1140-950) RPM, 56 Frame, TEFC			4. Manifold(LEFT) Stock:
2. Motor	306-1008 Stock:	5. Fan	307-0011..... Stock:
.5 HP, Single Phase, (60/50) HZ, (115/208-230-110/220) Volt, (1140-950) RPM, 56 Frame, TEFC			6. Fan Guard	308-0006 Stock:
2. Motor	306-1007 Stock:	7. Top Panel.....	107-0006 Stock:
.5 HP, Three Phase, 60 HZ, 575 Volt, 1140 RPM, 56 Frame, TEFC			8. Bottom Panel.....	107-0006 Stock:
2. Motor	306-2016 Stock:	9. Motor Bracket	107-0005 Stock:
1.0 HP, Three Phase, 60 HZ, (230/460) Volt, 1725 RPM, 56 Frame, Explosion Proof Motor			10. Louver(EACH).....	107-0004 Stock
			11. Side Panel	107-0002 Stock:
			12. Side Panel	107-0002 Stock:
			13. Back Panel	107-0003 Stock:
			14. Foot Mtg(LEFT)	108-0043 Stock:
			15. Foot Mtg(RIGHT).....	108-0044 Stock: