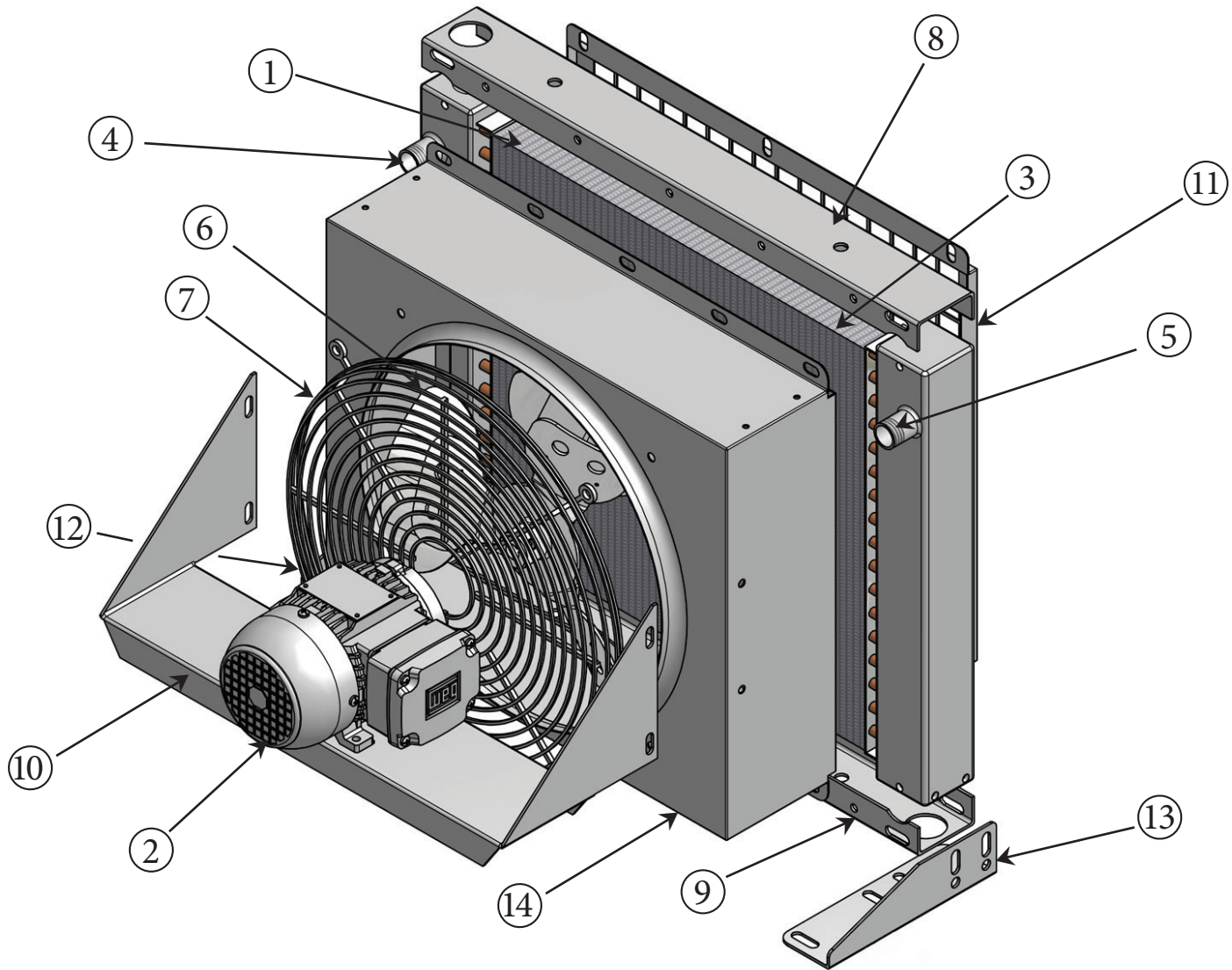


EOC - 220 Parts List



| Description | Part# | Price | Stock | Description | Part# | Price Each | Stock |
|-----------------------|--|-------|--------|---------------------------|---|------------|--------|
| 1. Core(1 PASS) | CLICK HERE | | Stock: | 2. Motor | 306-1083 | | Stock: |
| 1. Core(2 PASS) | CLICK HERE | | Stock: | | .25 HP, Current: DC, (12) Volt, 1725 RPM, 48 Frame, TENV | | |
| 2. Motor | 306-1002 | | Stock: | 2. Motor | 306-1084 | | Stock: |
| | .25 HP, Three Phase, (60/50) HZ, (230/460-190/380) Volt, (1725-1425) RPM, 48 Frame, TEFC | | | | .25 HP, Current: DC, (24) Volt, 1750 RPM, 48 Frame, TEFC | | |
| 2. Motor | 306-1018 | | Stock: | 3. Gasket Kit(EACH) | | | Stock: |
| | .25HP, Single Phase, (60/50) HZ, (115/230-90/190) Volt, 1725-1425 RPM, 48 Frame, TEFC | | | 4. Left Manifold | | | : |
| 2. Motor | 306-1072 | | Stock: | 5. Right Manifold..... | | | : |
| | .25 HP, Three Phase, (60/50) HZ, 575 Volt, 1725-1425 RPM, 48 Frame, TEFC | | | 6. Fan | 307-0029..... | | Stock: |
| 2. Motor | 306-2002 | | Stock: | 7. Fan Guard | 308-0001..... | | Stock: |
| | .25 HP, Three Phase, 60 HZ, (208-230/460) Volt, 1725 RPM, 48 Frame, Explosion Proof Motor | | | 8. Air Shield(UPPER)... | 115-1221..... | | Stock: |
| 2. Motor | 306-2001 | | Stock: | 9. Air Shield(LOWER) .. | 115-1232..... | | Stock: |
| | .25 HP, Single Phase, 60 HZ, (115/230) Volt, 1725 RPM, 48 Frame, Explosion Proof Motor | | | 10. Motor Bracket | 115-1213..... | | Stock: |
| | | | | 11. Screen | 115-1222..... | | Stock: |
| | | | | 12. Foot Mtg(LEFT) | 115-1433..... | | Stock: |
| | | | | 13. Foot Mtg(RIGHT)... | 115-1432..... | | Stock: |
| | | | | 14. Back Panel | 115-1223..... | | Stock: |