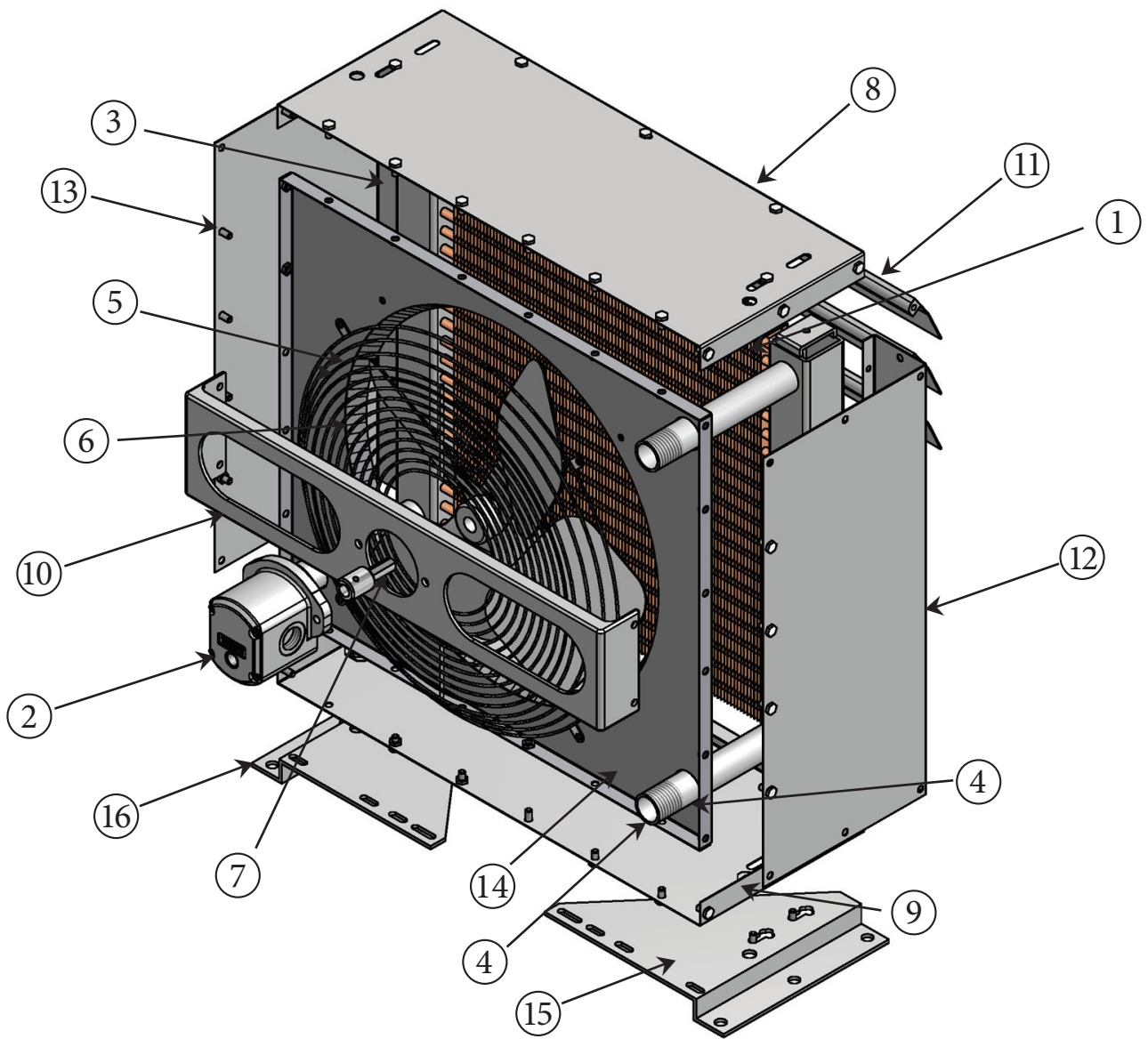


ACHM-15-Parts List



Description	Part#	Stock	Description	Part#	Stock
1. Core.....	103-1001..... Stock:	9. Bottom Panel.....	103-0006..... Stock:
2. Hydraulic Motor	306-3001..... Stock:	10. Motor Bracket	103-0009..... Stock:
3. Gasket Kit(EACH) Stock:	11. Louver(EACH)	103-0004..... Stock:
4. Manifold(RIGHT) :	12. Side Panel	103-0002..... Stock:
4. Manifold(LEFT) :	13. Side Panel	103-0002..... Stock:
5. Fan	307-0003..... Stock:	14. Back Panel	103-0003..... Stock:
6. Fan Guard	308-0002..... Stock:	15. Foot Mtg(LEFT)	108-0043..... Stock:
7. Shaft Adaptor.....	312-1001..... Stock:	16. Foot Mtg(RIGHT).....	108-0044..... Stock:
8. Top Panel.....	103-0006..... Stock:			