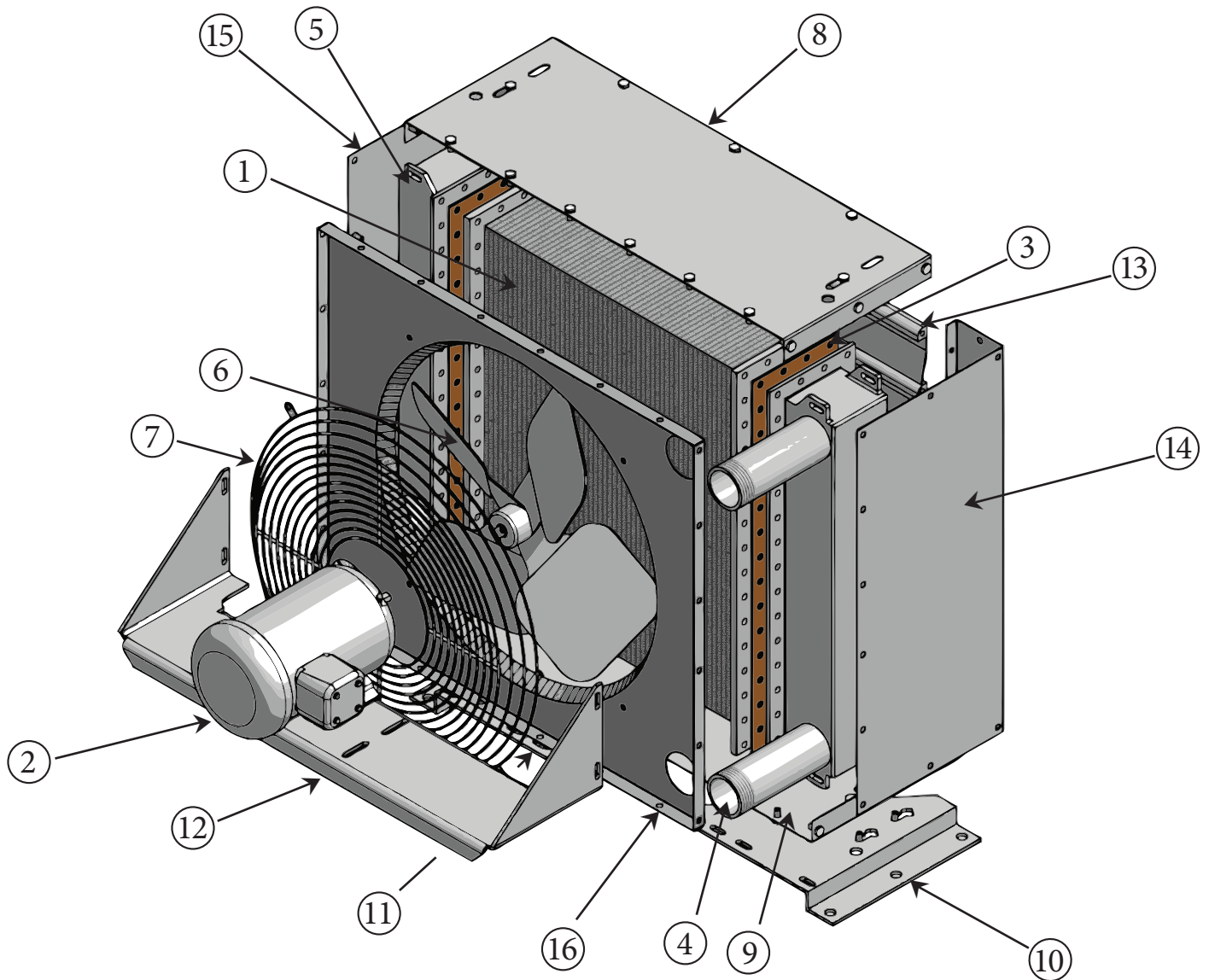


# AOCH-5 Parts List



Description	Part#	Price	Stock	Description	Part#	Price Each	Stock
1. Core.....	101-2001 .....		..... Stock:	3. Gasket Kit(EACH) .....			.....
2. Motor .....	306-1052 .....		..... Stock:	4. Right Tank.....			.....
	.5HP, Three Phase, (60/50) HZ, (208-230/460-190/380) Volt, 1725 RPM, 56 Frame, TEFC			5. Left Tank.....			.....
2. Motor .....	306-1051 .....		..... Stock:	6. Fan .....	307-0002.....		..... Stock:
	.5HP, Single Phase, 60 HZ, (115/208-230) Volt, 1725 RPM, 56 Frame, TEFC			7. Fan Guard .....	308-0001.....		..... Stock:
2. Motor .....	306-1024 .....		..... Stock:	8. Top Panel.....	101-0006.....		..... Stock:
	.5HP, Three Phase, 60 HZ, 575 Volt, 1725 RPM, 56 Frame, TEFC			9. Bottom Panel .....	101-0006.....		..... Stock:
2. Motor .....	306-2025 .....		..... Stock:	10. Foot Mtg(LEFT) ....	101-0030.....		..... Stock:
	.5HP, Three Phase, 60 HZ, 230/460 Volt, 1725 RPM, 56 Frame, Explosion Proof Motor			11. Foot Mtg(RIGHT) ...	101-0031.....		..... Stock:
2. Motor .....	306-2024 .....		..... Stock:	12. Motor Bracket ....	101-0005.....		..... Stock:
	.5HP, Single Phase, 60 HZ, 115/230 Volt, 1725 RPM, 56 Frame, Explosion Proof Motor			13. Louver(EACH).....	101-0004.....		..... Stock
				14. Side Panel .....	101-0002.....		..... Stock:
				15. Side Panel .....	101-0002.....		..... Stock:
				16. Back Panel .....	101-0008.....		..... Stock: