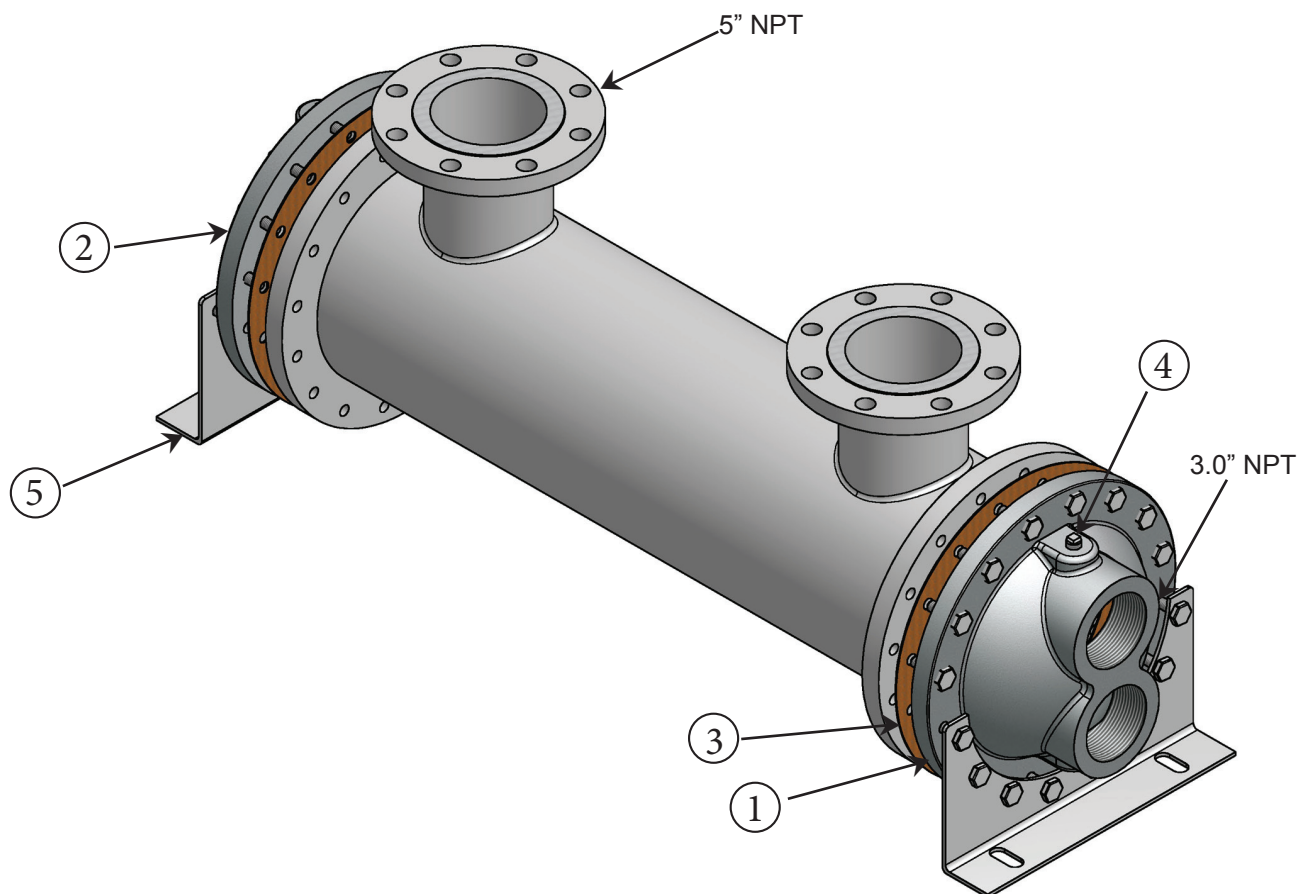


AB-2000-TP Parts List



<u>Item</u>	<u>Description</u>	<u>Material</u>	<u>Part Number</u>	<u>Stock</u>
1.	End Bonnet / In-Out	Cast Iron	208-0003	Yes
2.	End Bonnet / Return	Cast Iron	208-0004	Yes
1.	End Bonnet / In-Out	Cast Bronze	208-0008	Yes
2.	End Bonnet / Return	Cast Bronze	208-0009	Yes
1.	End Bonnet / In-Out	Cast Stainless Steel	203-0041	Yes
2.	End Bonnet / Return	Cast Stainless Steel	203-0041	Yes
3.	Gasket / Front-Back	Hypalon	302-1022	Yes
3.	Gasket / Front-Back	High Temperature	302-1013	Yes
4.	0.50" NPT Thread, 1.75" by 0.63"	Zinc Anode	301-0003	Yes
5.	Foot Bracket	Steel	208-0020	Yes