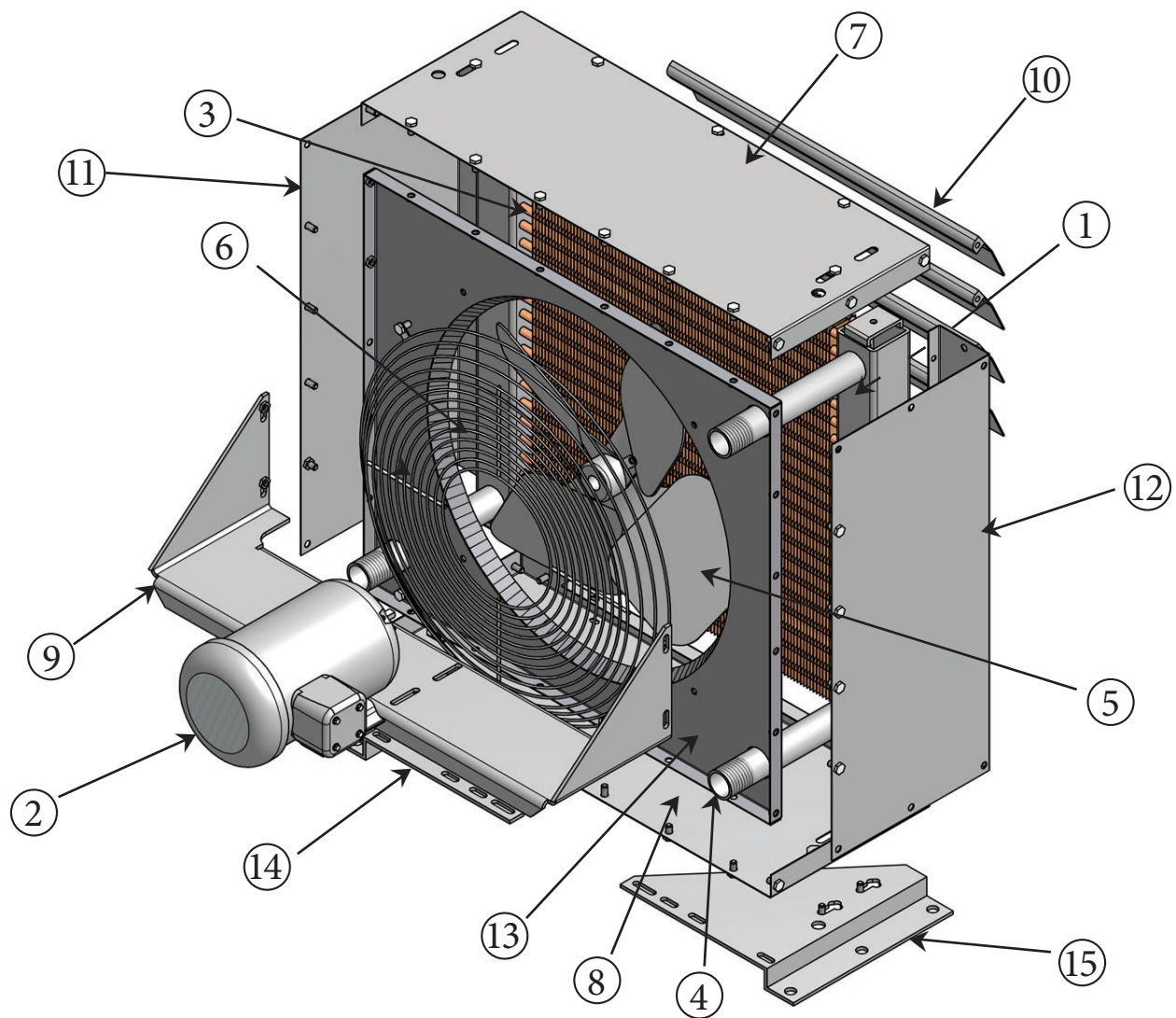


AC-5 Parts List



Description	Part#	Price	Stock	Description	Part#	Price	Stock
1. Core.....	Stock:	3. Gasket Kit(EACH)	199-0220.....	Stock:
2. Motor	Stock:	4. Manifold(RIGHT)	Stock:
.25 HP, Three Phase, (60/50) HZ, (230/460-190/380) Volt, 1725-1425 RPM, 48 Frame, TEFC				4. MANifold(LEFT).....	Stock:
2. Motor	Stock:	5. Fan	307-0001.....	Stock:
.25 HP, Single Phase, (60/50) HZ, (115/230-115/230) Volt, 1625-1425 RPM, 48 Frame, TEFC				6. Fan Guard	308-0001.....	Stock:
2. Motor	Stock:	7. Top Panel.....	101-0006.....	Stock:
.25 HP, Three Phase, (60/50) HZ, 575 Volt, 1725 RPM, 48 Frame, TEFC				8. Bottom Panel	101-0006.....	Stock:
2. Motor	Stock:	9. Motor Bracket	101-0005.....	Stock:
.25 HP, Three Phase, 60 HZ, (208-230/460) Volt, 1725 RPM, 48 Frame, Explosion Proof Motor				10. Louver(EACH).....	101-0004.....	Stock:
2. Motor	Stock:	11. Side Panel	101-0002.....	Stock:
.25 HP, Single Phase, 60 HZ, (115/230) Volt, 1725 RPM, 48 Frame, Explosion Proof Motor				12. Side Panel	101-0002.....	Stock:
2. Motor	Stock:	13. Back Panel	101-0003.....	Stock:
.25 HP, Single Phase, 60 HZ, (115/230) Volt, 1725 RPM, 48 Frame, Explosion Proof Motor				14. Foot Mtg(LEFT)	101-0030.....	Stock:
				15. Foot Mtg(RIGHT).....	101-0031.....	Stock: