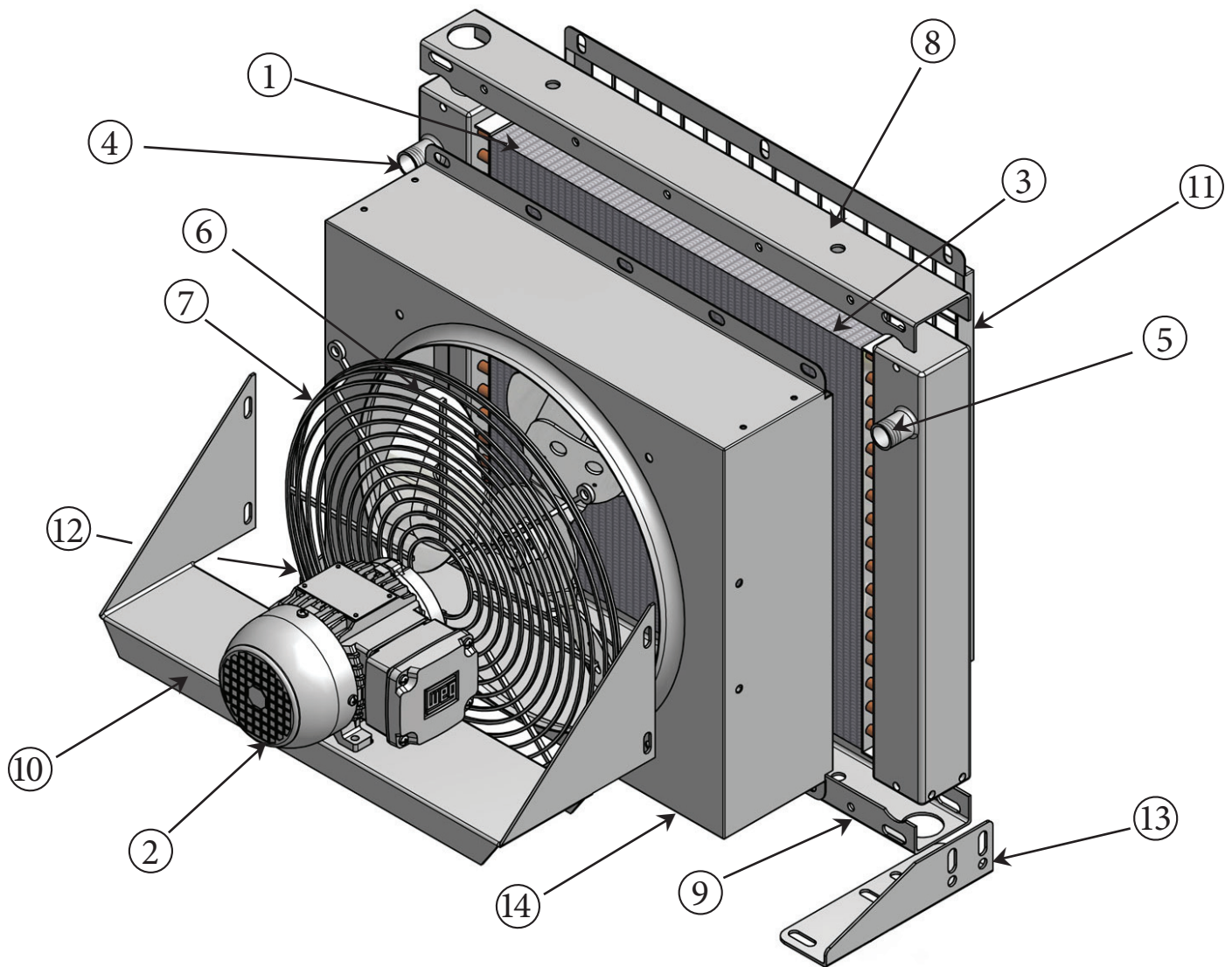


EOC - 190 Parts List



Description	Part#	Stock	Description	Part#	Stock
1. Core(1 PASS)	CLICK HERE	Stock:	2. Motor	306-1083 Stock:
1. Core(2 PASS)	CLICK HERE	Stock:		.25 HP, Current: DC, (12) Volt, 1750 RPM, 48 Frame, TENV	
2. Motor	306-1002 Stock:	2. Motor	306-1084 Stock:
	.25 HP, Three Phase, (60/50) HZ, (230/460-190/380) Volt, (1725-1425) RPM, 48 Frame, TEFC			.25 HP, Current: DC, (24) Volt, 1750 RPM, 48 Frame, TEFC	
2. Motor	306-1018 Stock:	3. Gasket Kit(EACH) Stock:
	.25HP, Single Phase, (60/50) HZ, (115/230-90/190) Volt, 1725-1425 RPM, 48 Frame, TEFC		4. Left Manifold :
2. Motor	306-1072 Stock:	5. Right Manifold.....	 :
	.25 HP, Three Phase, (60/50) HZ, 575 Volt, 1725-1425 RPM, 48 Frame, TEFC		6. Fan	307-0029..... Stock:
2. Motor	306-2002 Stock:	7. Fan Guard	308-0001..... Stock:
	.25 HP, Three Phase, 60 HZ, (208-230/460) Volt, 1725 RPM, 48 Frame, Explosion Proof Motor		8. Air Shield(UPPER)...	115-1020..... Stock:
2. Motor	306-2001 Stock:	9. Air Shield(LOWER) ..	115-1035..... Stock:
	.25 HP, Single Phase, 60 HZ, (115/230) Volt, 1725 RPM, 48 Frame, Explosion Proof Motor		10. Motor Bracket	115-1013..... Stock:
			11. Screen	115-1023..... Stock
			12. Foot Mtg(LEFT)	115-1021..... Stock:
			13. Foot Mtg(RIGHT)...	115-1022..... Stock:
			14. Back Panel	115-1052..... Stock: