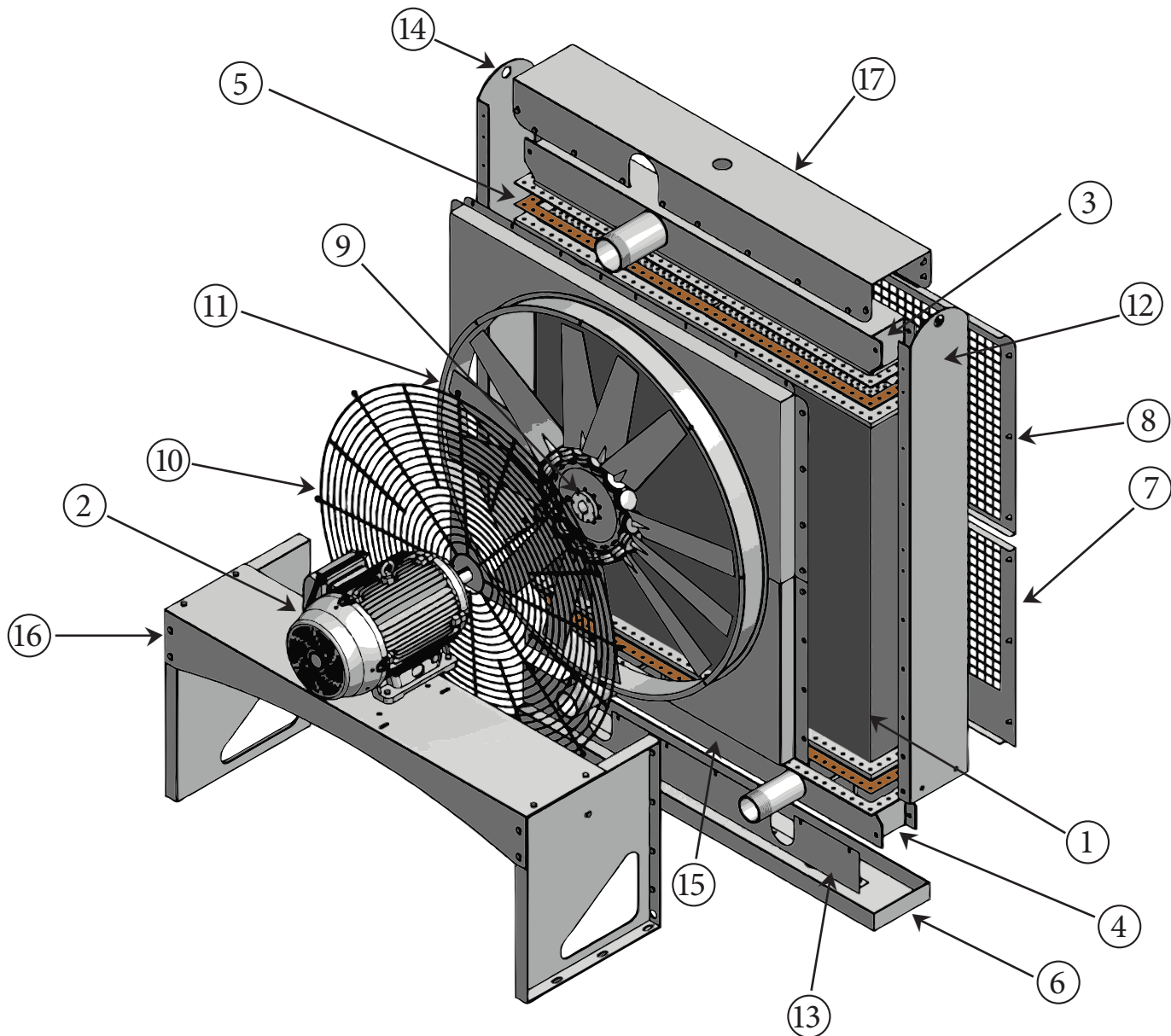


AOCS-3120 Parts List



| Description | Part# | Price | Stock | Description | Part# | Price | Stock |
|---|---------------|-------|--------|--------------------------|--------------|-------|--------|
| 1. Core..... | 110-8130... | | Stock: | 3. Top Tank(1 PIPE)..... | 110-8132.... | | Stock: |
| 2. Motor | 306-1120... | | Stock: | 4. Bottom Tank(2 PIPE) . | 110-8133.... | | Stock: |
| 20 HP, Three Phase, (60/50) HZ, (230/460-190/380) Volt, | | | | 5. Gasket Kit..... | 199-0104 ... | | Stock: |
| 1160/980 RPM, 286T Frame, TEFC | | | | 6. Bottom Panel..... | 110-8140.... | | Stock: |
| 2. Motor | 306-1124..... | | Stock: | 7. Lower Screen | 110-8146.... | | Stock: |
| 20 HP, Three Phase, 60 HZ, 575 Volt, 1160 RPM, | | | | 8. Upper Screen | 110-8145.... | | Stock: |
| 286T Frame, TEFC | | | | 9.Fan Bushing | 312-1034.... | | Stock: |
| 2. Motor | 306-2053 | | Stock: | 10. Fan Guard | 308-0012 ... | | Stock: |
| 20 HP, Three Phase, 60 HZ, (230/460) Volt,1160 RPM, | | | | 11. Fan..... | 307-0113.... | | Stock: |
| 286T Frame, Explosion Proof Motor | | | | 12. Side Panel(RIGHT).. | 110-8141.... | | Stock: |
| | | | | 13. Comp Panel..... | 110-8147.... | | Stock: |
| | | | | 14. Side Panel (LEFT) .. | 110-8142.... | | Stock: |
| | | | | 15. Back Panel | 110-8151.... | | Stock: |
| | | | | 16. Motor Bracket..... | 110-8157.... | | Stock: |
| | | | | 17. Top Cover | 110-8139.... | | Stock: |